

AFTERCARE INSTRUCTIONS

Excessive exposure to water will deteriorate the furniture. Wipe away any water splashes or condensation after use.

All bathrooms should be well ventilated, if needed, with a suitable extractor fan.

Clean with a soft damp cloth only.

Use a wax free polish if one must be used.

CUSTOMER SERVICE

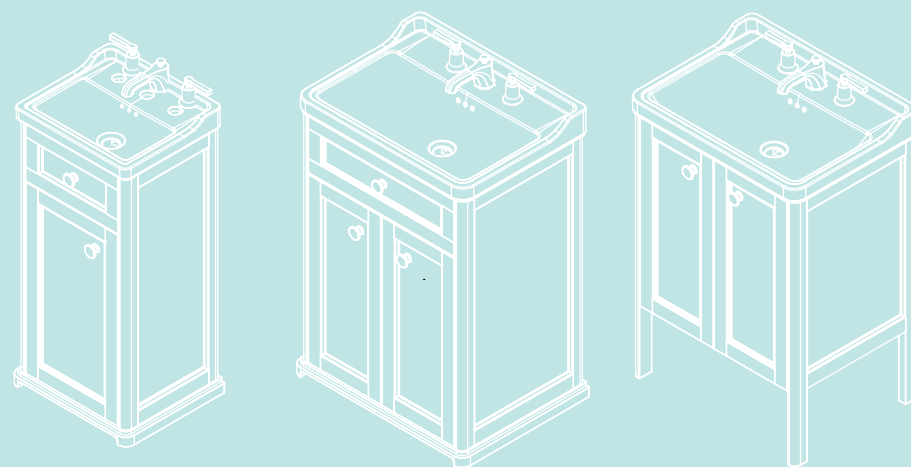
t: +44(0)208 686 5100
e: technical@saneux.com

4 Imperial Way
Croydon CR0 4RR

www.saneux.com

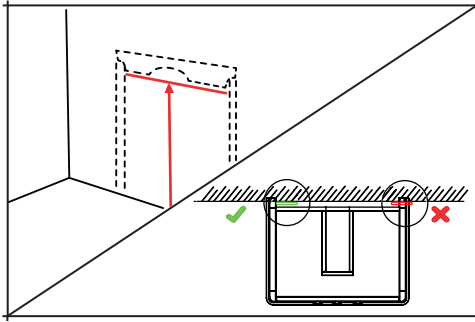
SOFIA

INSTALLATION INSTRUCTIONS



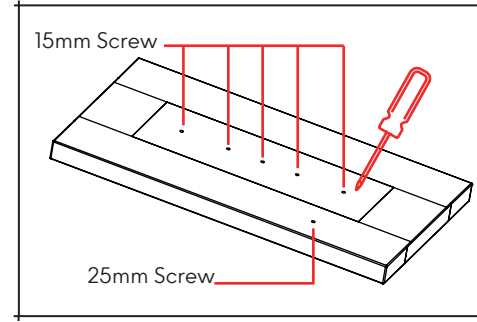
SOO40F - SOO60F - SOO60C

saneux



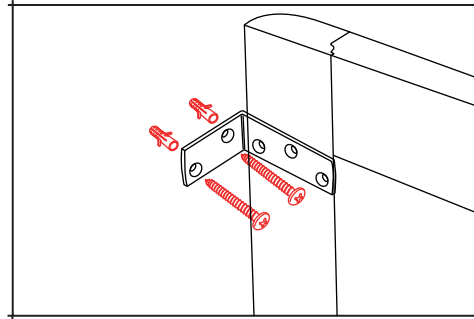
Furniture Installation.

We recommend securing the unit to the wall using the angle bracket. Mark the location of all holes, ensuring that the angle brackets don't interfere with the position of the basin. Secure the angle brackets to the sides of the furniture unit.

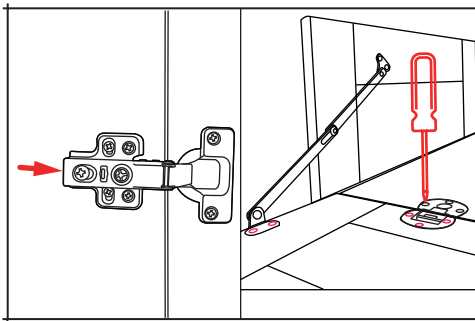
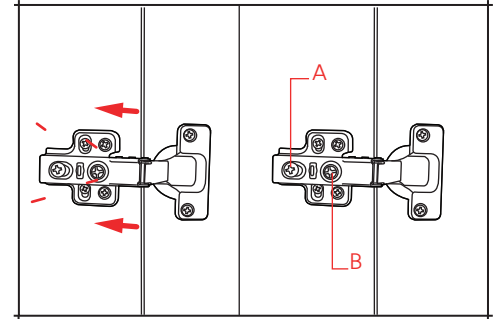


Fit the selected handle to the door as required, using a screw driver. Make sure the screws are tight. See diagram for suitable screws depending on the panel's width. Handles are supplied with 25mm as standard. The furniture units include 4 or 6, 15mm screws as required.

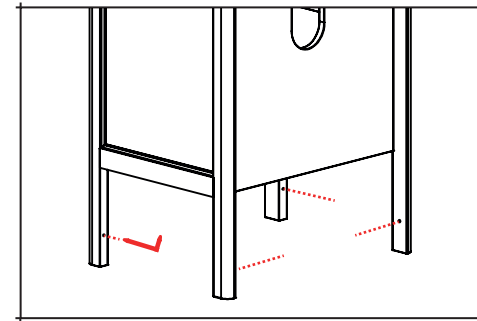
Drill 2 holes per mounting plate using an 8mm drill bit to a depth of 55mm. The fixings supplied are for solid walls. For hollow or stud walls use specialist fixings.



Return the panels to the furniture unit in the same way they were taken off. Make sure the hinges click back into place and the soft close feature functions correctly. The position of the doors can be adjusted by the screws on the hinges. **Screw A adjusts the depth of the door. Screw B adjusts the width of the door.**

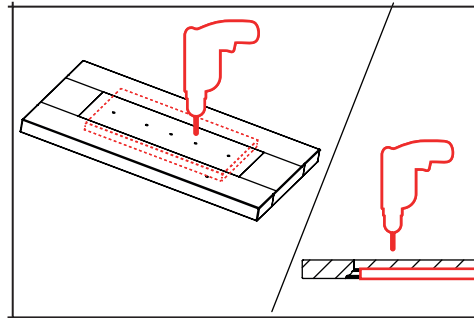


Before mounting the unit, we recommend fitting the handles. To do this, simply press the button at the back of the hinge. The entire door and hinges will release from the carcass. For units with a top panel, unscrew the hinges and guides from the panel to remove the panel.



Console units (SO060C) can be levelled with an allen key. Freestanding units (SO040F & SO060F) can be levelled by rotating the feet.

To ensure the paint does not come off the front of any panels, place the door (front face down) and use the spare board supplied as shown in the diagram. Drill the pilot holes for the handle width selected. **Make sure to measure the handle hole width before drilling.**



Having finished all plumbing connections, secure the basin to the unit **using a silicone sealant**. Make sure the basin is correctly aligned with the furniture and allow the sealant to dry.

